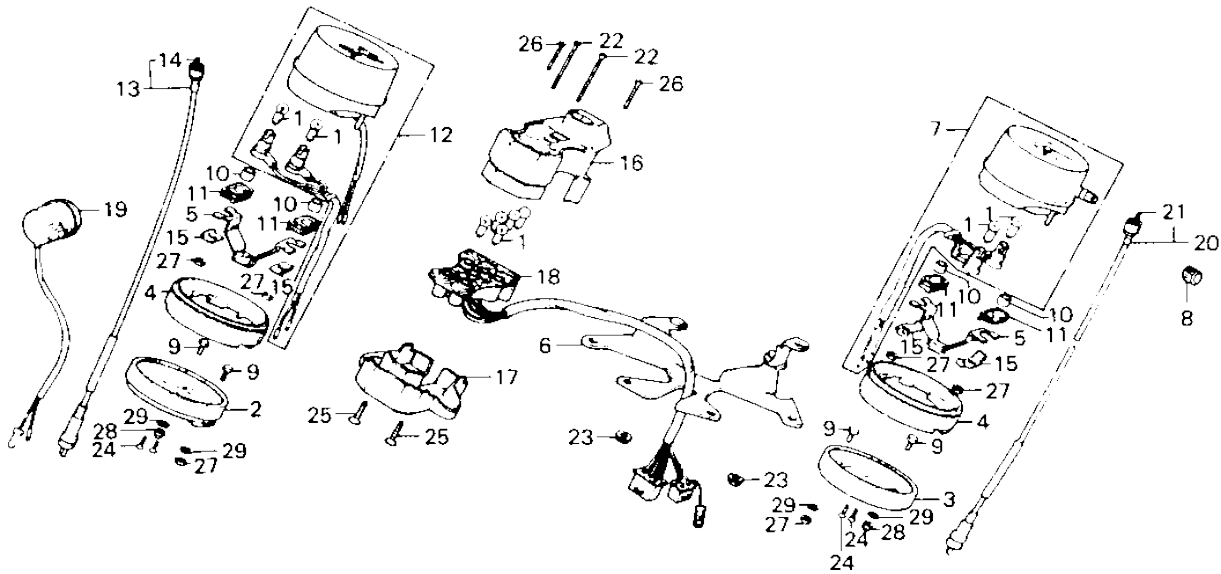


## Speedometer - Tachometer



Ref.No	Partnumber	Description	Req.	Area code
1	34902-259-000	BULB, DASH (12V 3,4W)	9	
2	37111-371-008	RING, R. METER SETTING	1	
3	37112-371-008	RING, L METER SETTING	1	
4	37115-371-000	CUSHION, METER SETTING	2	
5	37116-371-000	PLATE, METER RING SETTING	2	
6	37120-431-000	STAY COMP. , METER SET	1	
7	37200-431-611 37200-431-671 37200-431-721	SPEEDOMETER ASSY	1	DK, ED, F, G, U DM, E CM
8	37202-371-610	CAP, TRIP METER KNOB	1	G
9	37238-323-700	BOLT, METER SET, 6MM	4	
10	37243-371-008	COLLAR, METER SETTING	4	
11	37244-371-008	RUBBER, METER SET	4	
12	37250-431-007	TACHOMETER ASSY	1	
13	37260-371-000	CABLE, ASSY TACHOMETER	1	
14	37261-371-000	CABLE, TACHOMETER INNER	1	
15	37314-371-008	WASHER, METER SET	4	
16	37610-371-680	COVER, COMP., PILOT UPPER	1	
17	37617-371-008	COVER PILOT LOWER (NIPPON SEIKI)	1	
18	37619-431-007	CORD COMP., PILOT	1	
19	38400-431-000	BUZZER ASSY., WINKLER	1	
20	44830-131-670	CABLE ASSY. S EDOMETER	1	
21	44831-300-673	CABLE, SPEEDOMETER INNER	1	
22	90106-371-000	SCREW, OVAL, 4x70	2	
23	90309-357-000	NUT, HEX., 8mm	2	
24	93700-04008-0B	SCREW, OVAL 4x8	4	
25	93700-04018-0B	SCREW, OVAL 4x18	2	
26	93700-04030	SCREW, OVAL 4x30	2	
27	91001-06000	NUT, HEX., 6mm	6	
28	94021-06000	NUT, CAP, 6mm	2	
29	94111-06000	WASHER, SPRING, 6mm	4	